

INDUSTRIAL DIESEL ENGINE

Kubota OC Series (1-Cylinder)

OC60-E4



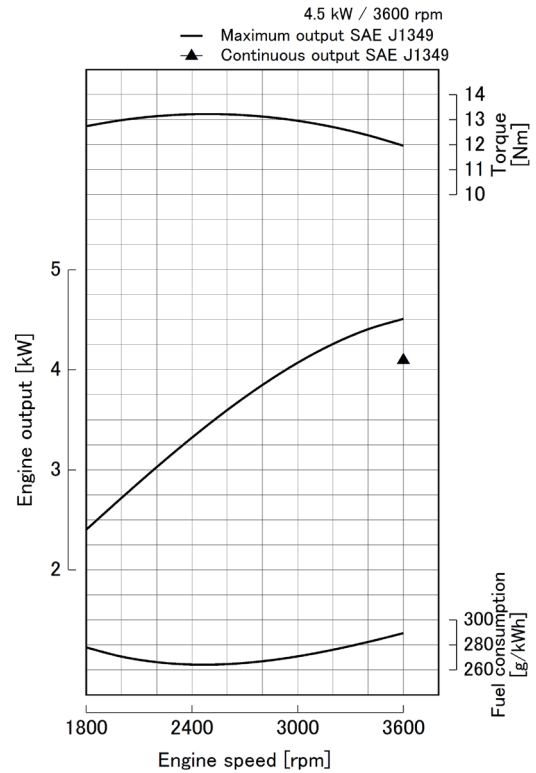
Rated Power

4.5 kW @ 3600 rpm



Photograph may show non-standard equipment.

Performance Curves



Features and Benefits

Emissions

The Kubota OC60 engine complies with EPA Tier 4 emissions regulations. These are the most stringent emissions regulations in the world in this class. Kubota engine less than 19 kW also meets emission standards over the NRTC and the NTE requirements.

Durable Power

This engine offers a seamless transition from E2 to E4 by totally maintaining the same performance and physical characteristics.

Clean and Quiet Power

The Kubota OC series is a unique engine that has light-weight and compact features of an air-cooled engine together with the low noise, durability and clean exhaust emission of a water-cooled diesel engine. With ACTV (Advanced Cooling Three Vortex) system, the cylinder block is air-cooled, whereas the combustion area of the cylinder head is oil-cooled.

OC60-E4

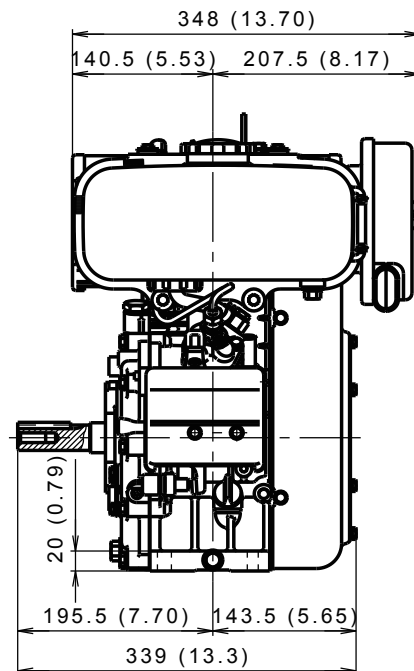
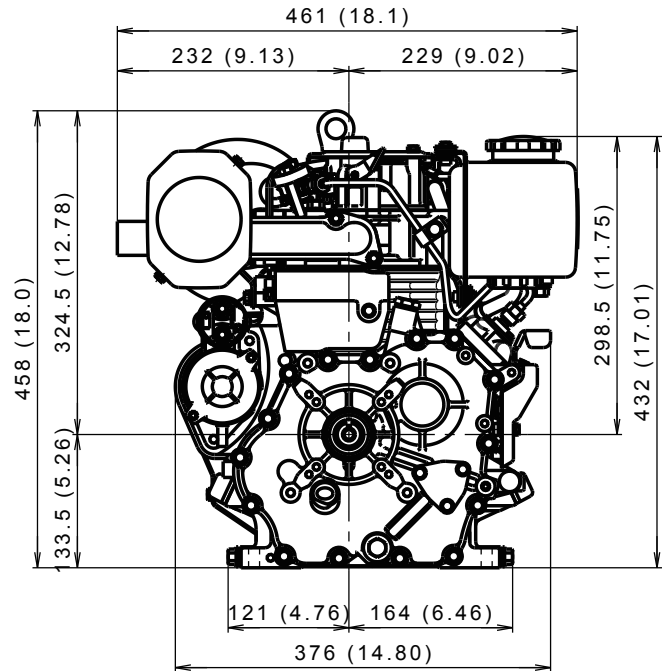
Engine Specifications

Engine model	OC60-E4	
Emission regulation	EPA/CARB Tier 4 (NRTC/NTE test mode) + EU Stage V	
Type	Vertical, liquid-cooled 4-cycle diesel engine	
Cylinders	1	
Bore and stroke	mm (in)	72.0 x 68.0 (2.83 x 2.68)
Displacement	L (cu.in)	0.276 (16.8)
Maximum output / speed *1	kW (HP) / rpm	4.5 (6.0) / 3600
Continuous output / speed *1	kW (HP) / rpm	4.1 (5.5) / 3600
Maximum torque / speed	Nm (lb-ft) / rpm	13.2 (9.7) / 2000 to 2600
Combustion system	Indirect Injection *2	
Fuel tank capacity	L (U.S.gal)	3.5 (0.92)
Lubricating oil capacity	L (U.S.gal)	1.3 (0.34)
Starter capacity	V-kW	12-0.7
Charging dynamo	V-W	12-48 (L1 model: 12-170)
Length x Width x Height	mm (in)	403 x 461 x 458 (15.9 x 18.1 x 18.0)
Dry weight *2	kg (lbs)	38 (84)

Specification is subject to change without notice.
 Dry weight is according to Kubota's standard specification.
 When specification varies, the weight will vary accordingly.

*1: SAE J1349 net intermittent
 *2: Three Vortex Combustion System (TVCS)

Dimensions

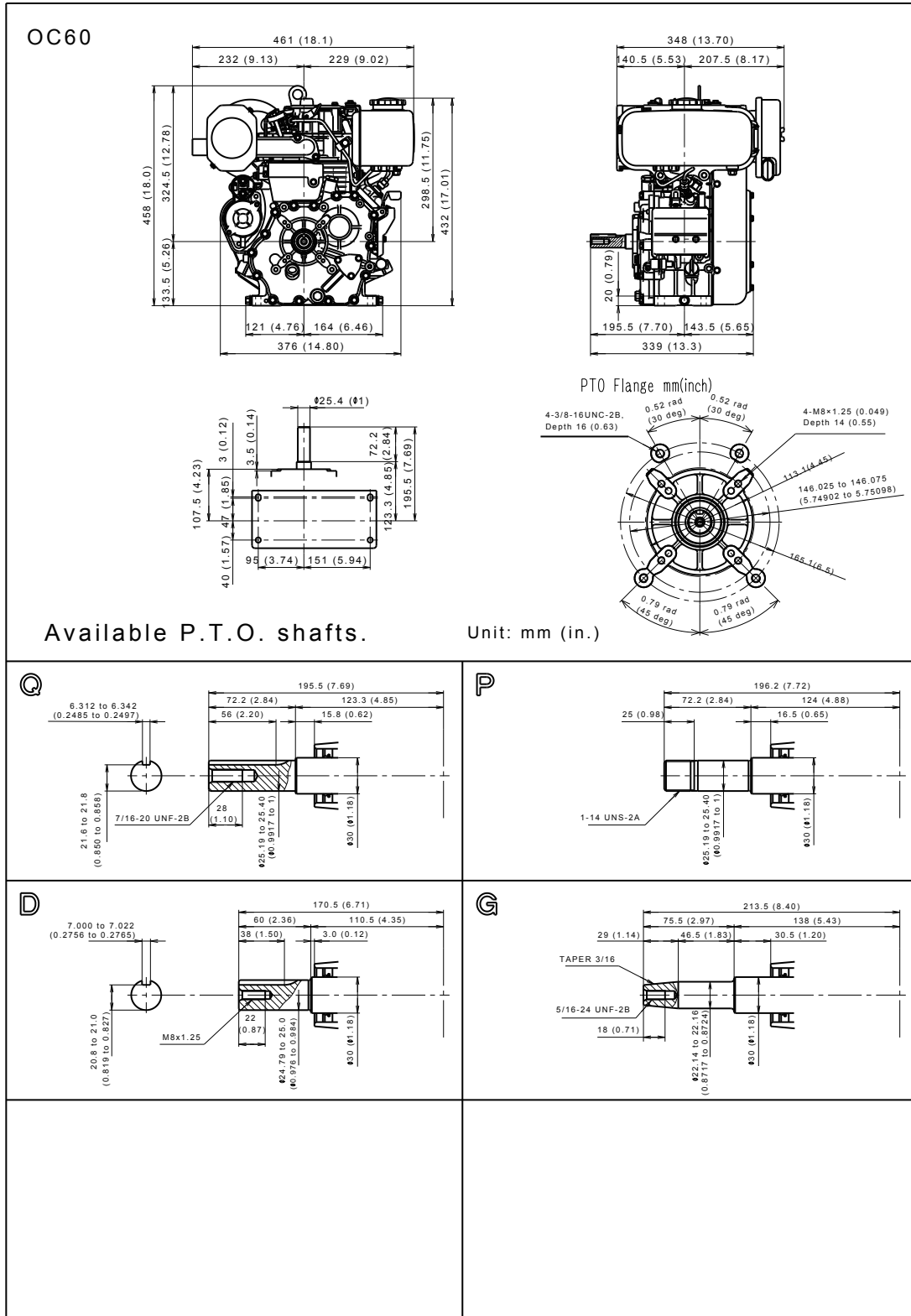


Kubota Corporation

2-47, Shikitsuhigashi 1-chome Naniwa-ku, Osaka, 556-8601 Japan
<https://global.engine.kubota.co.jp/en/>

ASPOC60-E41902-R1-I-178040

OC60



Kubota Corporation

2-47, Shikitsu Higashi 1-chome Naniwa-ku, Osaka, 556-8601 Japan

<https://global.engine.kubota.co.jp/en/>

ASPOC60-E41902-R1-I-178040